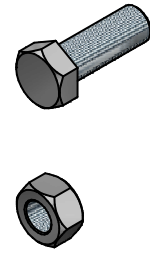
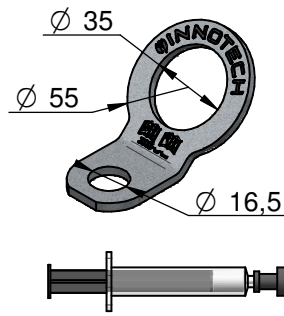
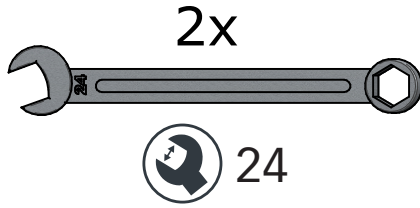
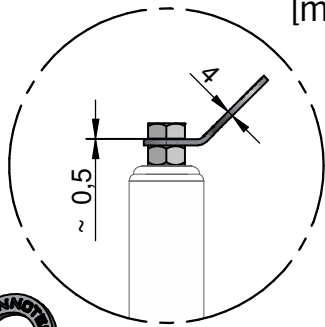
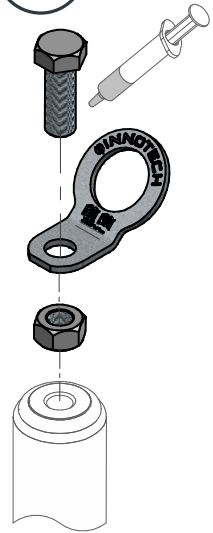




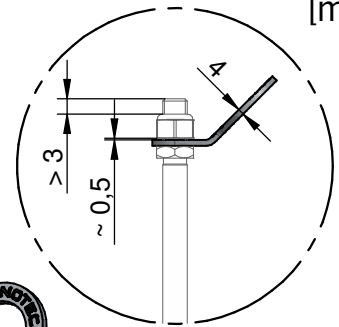
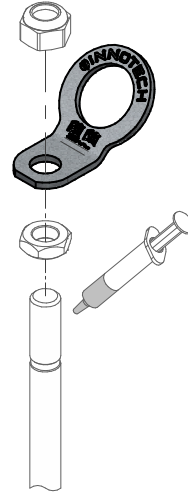
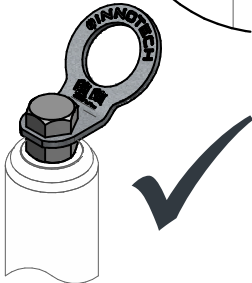
UNI-EAP-10-25



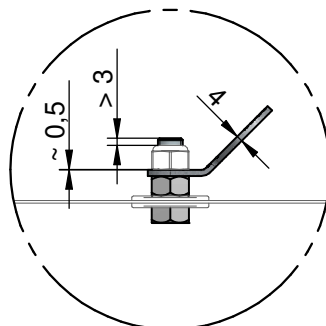
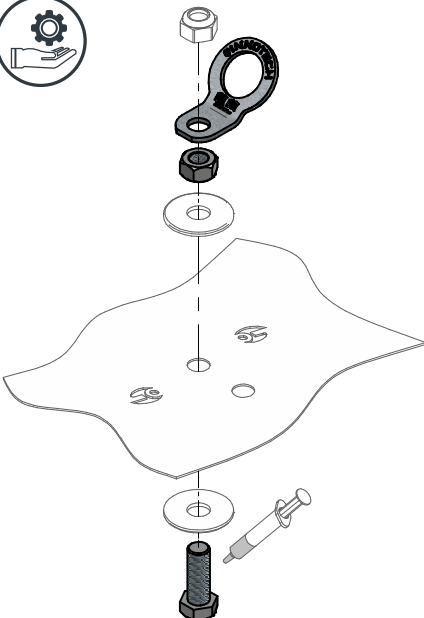
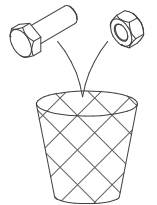
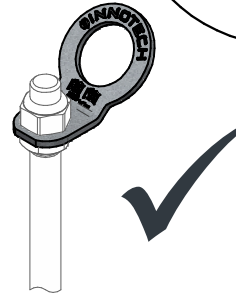
[mm]
M16x45
DIN933
M16
DIN934



[mm]



[mm]



[mm]

